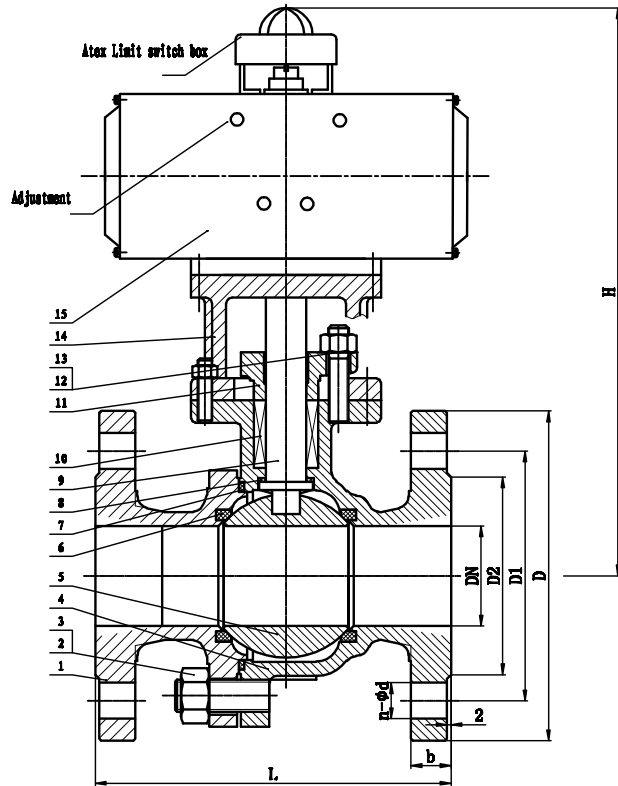


NPS	DN	L	D	D1	D2	b	n-φd	H	Weight (kg)
1	25	127	108	79.2	51	14.2	4-16	-	-
1 1/2	40	165	127	98.6	73	17.5	4-16	-	-



SPECIFICATION		
Test Pressure	CLASS	150LB
	Shell Test	3.0
	Seat Test	2.2
	Air Seal Test	0.6
Max. Temperature		150° C
Applicable Media:		water, oil, steam

- Technical Requirement**
1. Design & Manufacture: API 6D;
 2. Face to Face: API 6D;
 3. End Flange Dimension: ASME B 16.5;
 4. Inspection and Test: API 6D.

No.	Name	Material
15	Pneumatic actuator	Component
14	Yoke	ASTM A216 WCB
13	Nut	A194 2H
12	Bolt	A193 B7
11	Gland	ASTM A216 WCB
10	Packing	PTFE
9	Stem	2cr13
8	Gasket	PTFE
7	Gasket	PTFE
6	Seat	PTFE
5	Ball	30304
4	Body	ASTM A216 WCB
3	Nut	A194 2H
2	Bolt	A193 B7
1	Flange	ASTM A216 WCB

				BALL VALVE	1" 1 1/2" Q641F-150LB														
					<table border="1"> <tr> <th>Rev</th> <th>By</th> <th>Check</th> <th>Date</th> </tr> <tr> <td> </td> <td> </td> <td> </td> <td> </td> </tr> </table>				Rev	By	Check	Date							
Rev	By	Check	Date																
				<table border="1"> <tr> <td>Design</td> <td> </td> <td> </td> <td> </td> </tr> <tr> <td>Check</td> <td> </td> <td> </td> <td> </td> </tr> <tr> <td>Auth</td> <td> </td> <td> </td> <td> </td> </tr> </table>				Design				Check				Auth			
Design																			
Check																			
Auth																			
Assembly Drawing																			